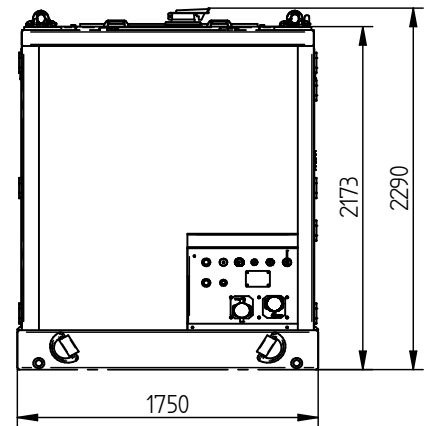
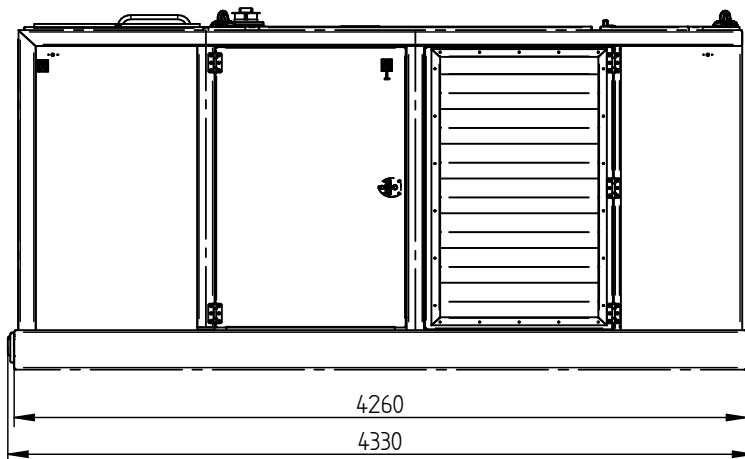
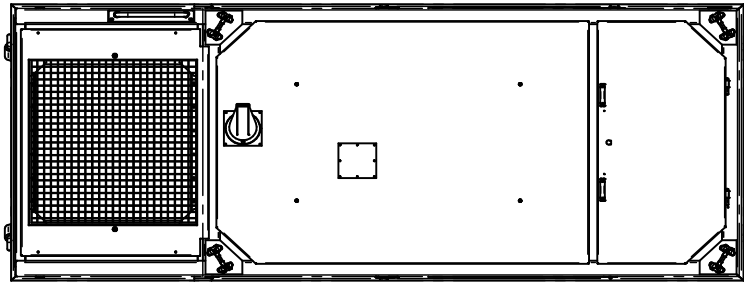


Specification sheet

ICE 500 STAGE V / TIER 4F

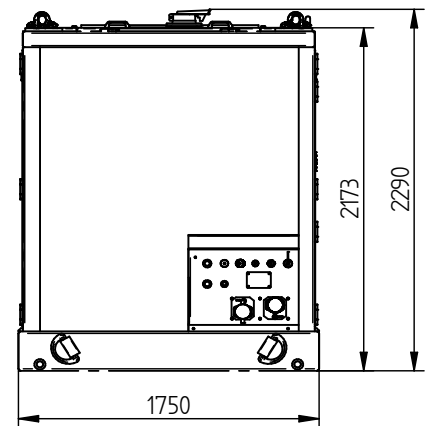
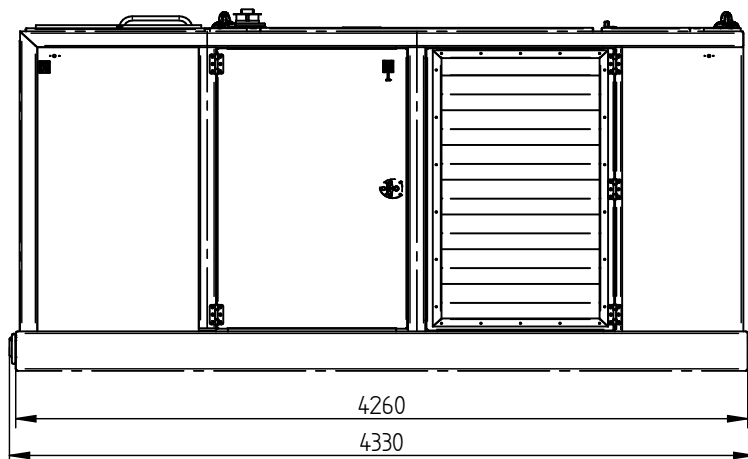
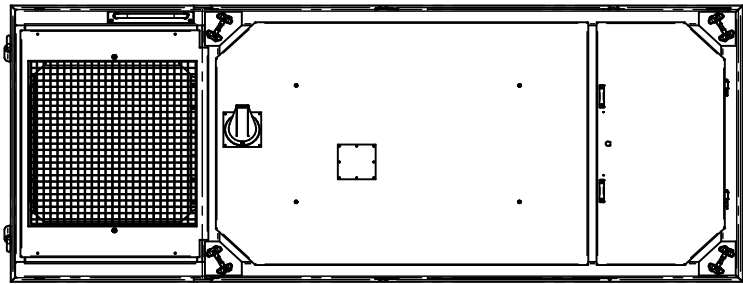
Hydraulic Power Pack



Specifications :

ICE 500 STAGE V / TIER 4F

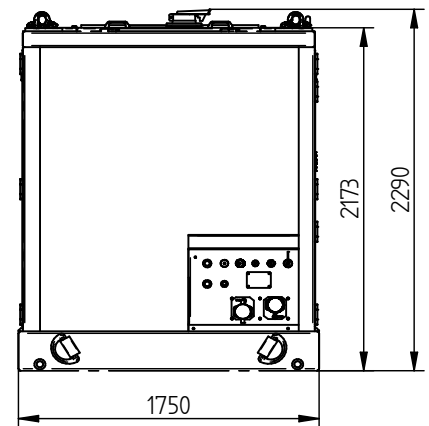
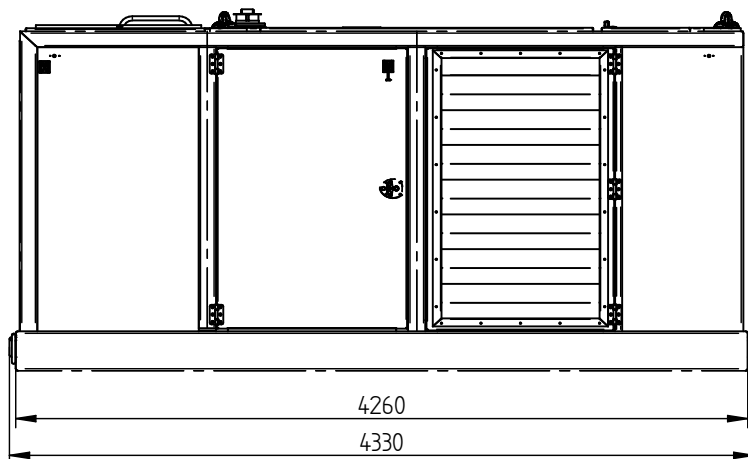
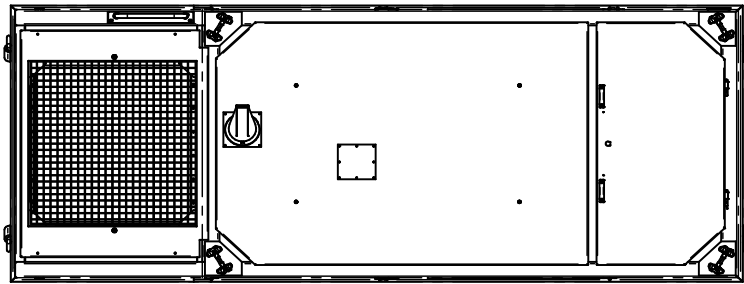
Diesel Engine	Volvo TAD 1384 VE	
Max. theoretical power	375/510	kW/HP
Max. frequency	1900	rpm
Max. operating pressure	350	bar
Hydraulic pump	Parker	
Max. oil flow	520	L/min
Diesel oil	790	L
DEF (AdBlue) capacity	45	L
Hydraulic oil	1345	L
Weight without fuel	6900	kg
Weight filled up	7600	kg



Technische Daten :

ICE 500 STAGE V / TIER 4F

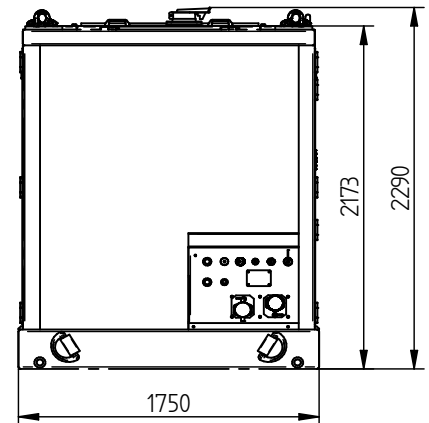
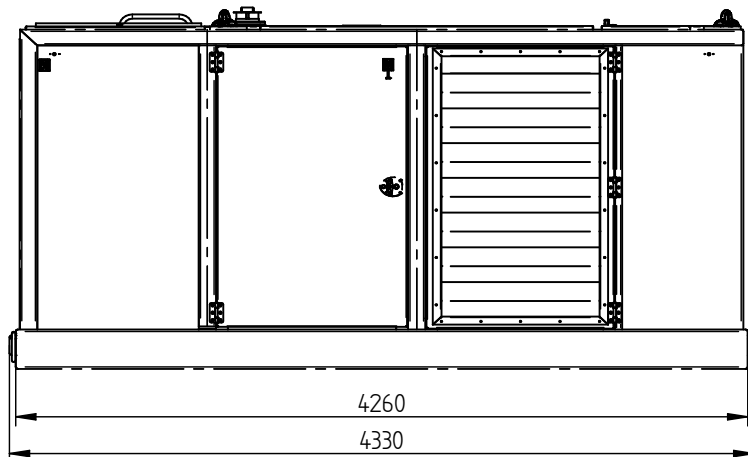
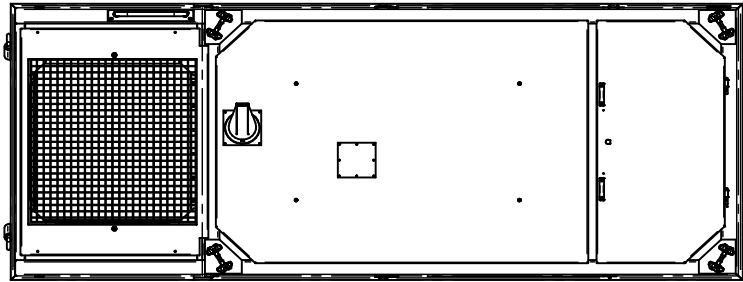
Dieselmotor	Volvo TAD 1384 VE	
Max. theoretische Leistung	375/510	kW/HP
Max. Drehzahl	1900	rpm
Max. Betriebsdruck	350	bar
Hydraulische Pumpe	Parker	
Max. Fördermenge	520	L/min
Diesel Öl	790	L
DAF (AdBlue) Kapazität	45	L
Hydraulische Öl	1345	L
Gewicht ohne Diesel Öl	6900	kg
Gewicht	7600	kg



Spécifications

ICE 500 STAGE V / TIER 4F

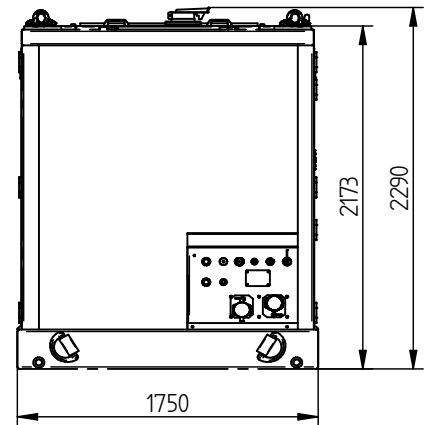
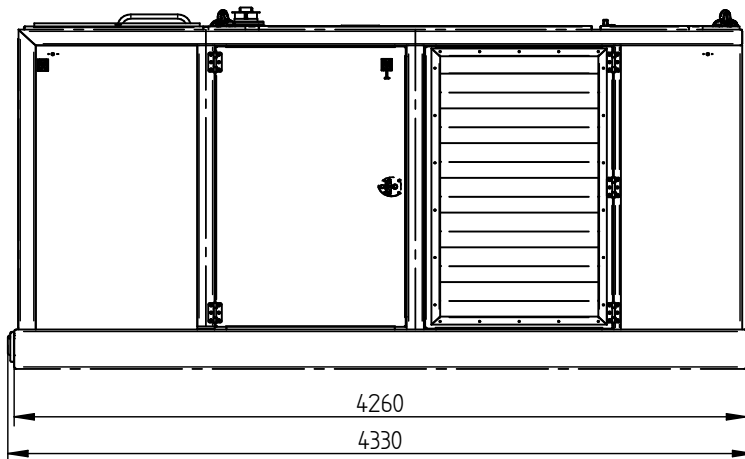
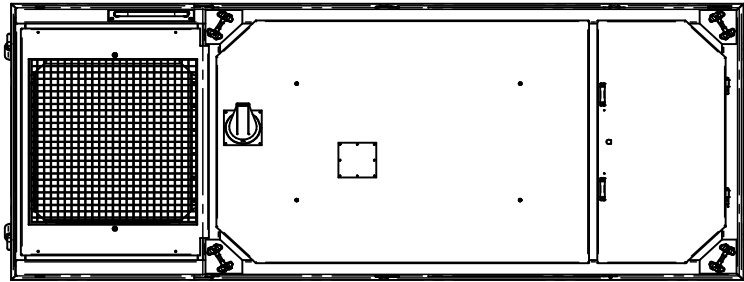
Moteur Diesel	Volvo TAD 1384 VE	
Puissance théorique max.	375/510	kW/HP
Max. fréquence	1900	rpm
Pression de travail max.	350	bar
Pompe hydraulique	Parker	
Débit d'huile max.	520	L/min
Huile diesel	790	L
Capacité FED (AdBlue)	45	L
Huile hydraulique	1345	L
Poids sans huile diesel	6900	kg
Poids	7600	kg



Specificaties

ICE 500 STAGE V / TIER 4F

Dieselmotor	Volvo TAD 1384 VE	
Max. theoretisch vermogen	375/510	kW/HP
Max. toerental	1900	rpm
Max. werkdruk	350	bar
Hydraulische pomp	Parker	
Max. olie doorstroming	520	L/min
Diesel olie	790	L
DEF (AdBlue) capaciteit	45	L
Hydraulische olie	1345	L
Gewicht zonder diesel	6900	kg
Gewicht	7600	kg



Especificaciones

ICE 500 STAGE V / TIER 4F

Motor de diesel	Volvo TAD 1384 VE	
Potencia Máxima teórica	375/510	kW/HP
Frecuencia máxima	1900	rpm
Presión máxima de trabajo	350	bar
Bomba hidráulica	Parker	
Flujo de aceite máximo	520	L/min
Gasóleo	790	L
Capacidad DEF (AdBlue)	45	L
El aceite hidráulico	1345	L
Peso sin gasóleo	6900	kg
Peso	7600	kg

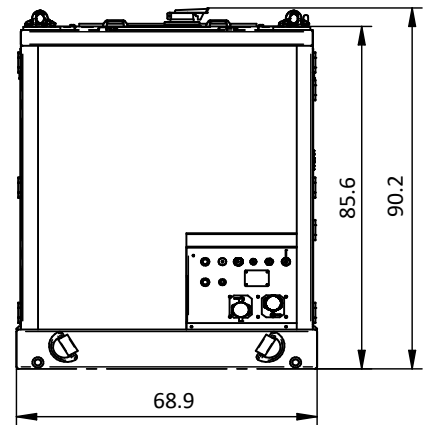
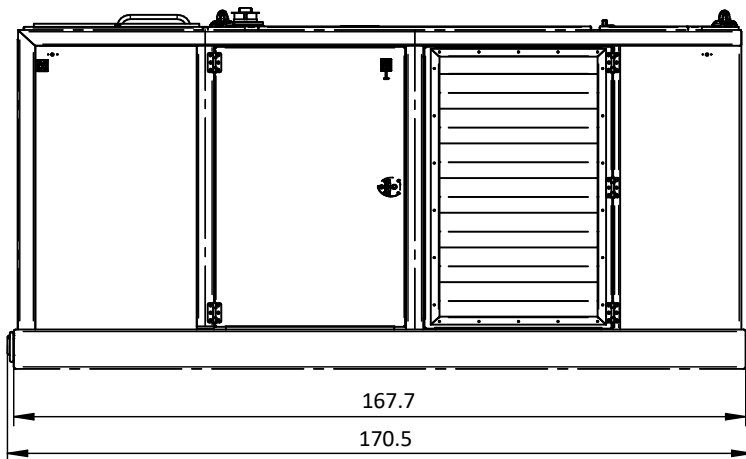
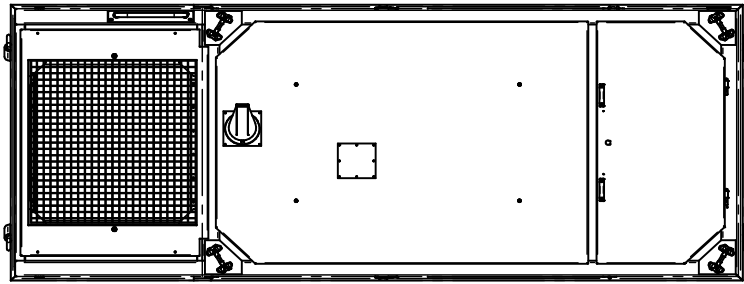
Specifications

ICE 500 STAGE V / TIER 4F

Hydraulic Power Pack

USA

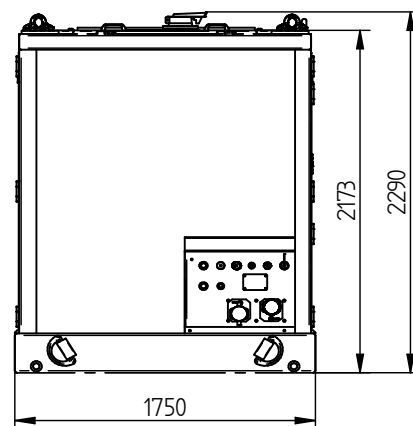
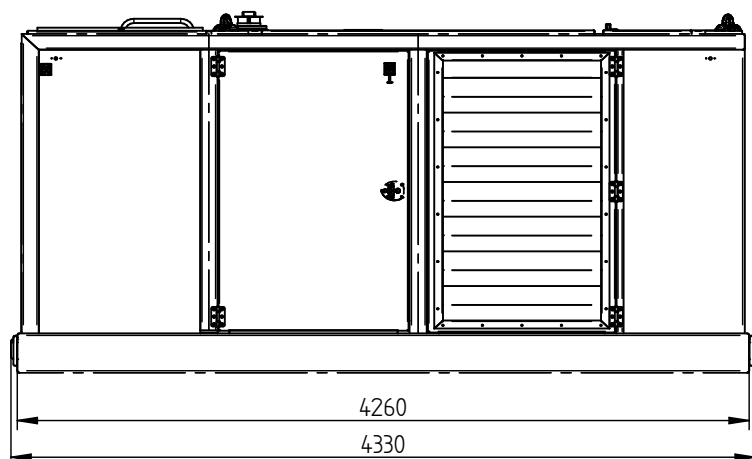
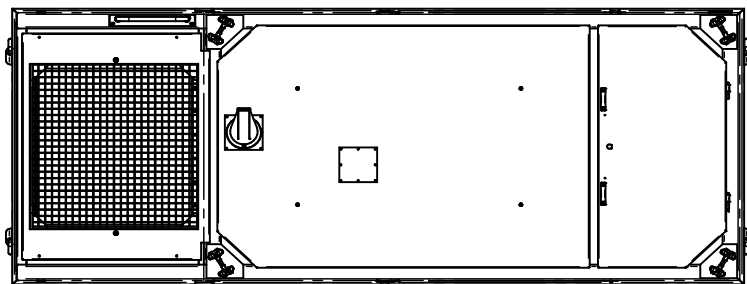
Dimensions in inches



Specifications

ICE 500 STAGE V / TIER 4F

Diesel Engine	Volvo TAD 1384 VE	
Max. theoretical power	375/510	kW/HP
Max. frequency	1,900	rpm
Max. operating pressure	5,076	psi
Hydraulic pump	Parker	
Max. oil flow	137	gal/min
Diesel Fuel	209	gal
DEF (AdBlue) capacity	12	gal
Hydraulic oil	355	gal
Weight without fuel	15,212	lbs
Weight with fuel	16,755	lbs



Specificatii :

ICE 500 STAGE V / TIER 4F

Motor diesel	Volvo TAD 1384 VE	
Puterea maxima teoretica	375/510	kW/HP
Frecventa maxima	1900	rpm
Presiune maxima de lucru	350	bar
Pompa hidraulica	Parker	
Debit maxim de ulei	520	L/min
motorină	790	L
Capacitate rezervor aditiv AdBlue	45	L
Ulei hidraulic	1345	L
Greutatea fara combustibil	6900	kg
Greutatea cu combustibil	7600	kg